

POINT 55

SPECIFICATIONS

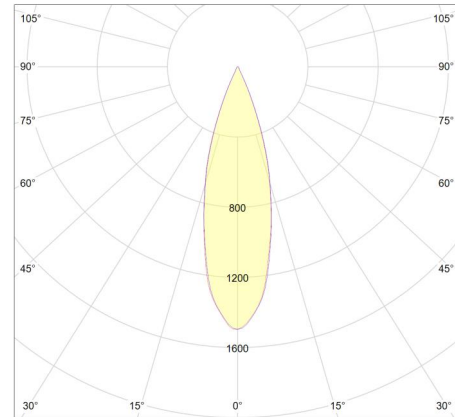
MOUNTING		INGROUND
POWER	[W]	3,4
LAMP		built-in LED
LUMINOUS FLUX*	[lm]	450
LIGHT COLOUR	[K]	3000
CRI		>90
BEAM ANGLE	[°]	30
AVERAGE LIFETIME	[h]	L80/B50.000
LUMINOUS EFFICACY	[lm/W]	132
POWER SUPPLY	[V] [A]	220-240V AC 50/60 Hz
LED-DRIVER		INCLUDED
DIMMING		NO
THROUGH-WIRING		YES (JUNCTION BOX IV)
MATERIAL		ALUMINUM
INGRESS PROTECTION		IP67
PROTECTION CLASS		I
IMPACT PROTECTION		IK06
NET WEIGHT	[kg]	0,23
GROSS WEIGHT	[kg]	0,25
COLOUR (HOUSING)		STAINLESS STEEL
CUT-OUT (FIXTURE)	[mm]	Ø45
RECESSED DEPTH (H)	[mm]	95
CUT-OUT(MOUNTING BOX)	[mm]	Ø75
RECESSED DEPTH (H)	[mm]	100
OUTLET CABLE		0,5m H05RN-F 3x0,75mm ²

*Luminous flux values are nominal LED data at a operating temperature of 25° C



LIGHT DISTRIBUTION

30°



OPTIONS / OPTIONAL ACCESSORIES

MICRO JUNCTION BOX	II	BLACK
MICRO JUNCTION BOX	IV	BLACK

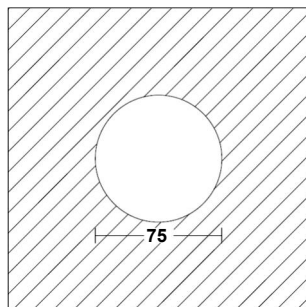


Colours

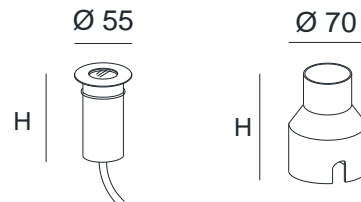


stainless steel

CUT OUT DIMENSIONS



FIXTURE DIMENSIONS



DLS LIGHTING

www.dslighting.com

***DLS**
LIGHTING