

ZOOM XL EP

SPECIFICATIONS

MOUNTING		CEILING RECESSED
POWER	[W]	4,1
LAMP		built-in LED
LUMINOUS FLUX*	[lm]	550
LIGHT COLOUR	[K]	3000
CRI		>90
BEAM ANGLE	[°]	15 - 60
AVERAGE LIFETIME	[h]	L80/B50.000
LUMINOUS EFFICACY	[lm/W]	134
POWER SUPPLY		250mA CC
LED-DRIVER	[V] [A]	NOT INCLUDED
DIMMING		SEE DRIVER
THROUGH-WIRING		SEE DRIVER
MATERIAL		ALUMINUM
INGRESS PROTECTION		IP20
PROTECTION CLASS		III
NET WEIGHT	[kg]	0,38
GROSS WEIGHT	[kg]	0,40
COLOUR (HOUSING)		WHITE ~RAL9003
COLOUR (HOUSING)		BLACK ~RAL9005
COLOUR (HOUSING)		CHROME
COLOUR (HOUSING)		PLATINUM
CUT-OUT	[mm]	Ø68
RECESSED DEPTH (H)	[mm]	45

*Luminous flux values are nominal LED data at a operating temperature of 25° C



LIGHT DISTRIBUTION

n/a

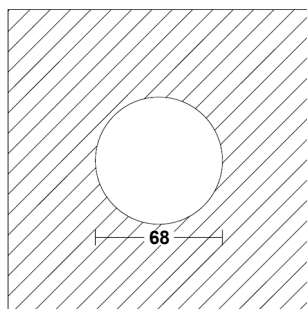
OPTIONS / OPTIONAL ACCESSORIES

2700K and 4000K LED on request

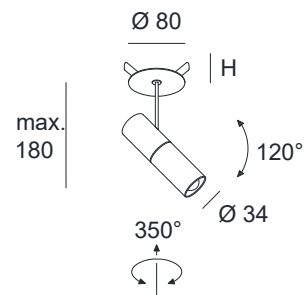
Colours



CUT OUT DIMENSIONS



FIXTURE DIMENSIONS



DLS LIGHTING

www.dslighting.com

***DLS**
LIGHTING